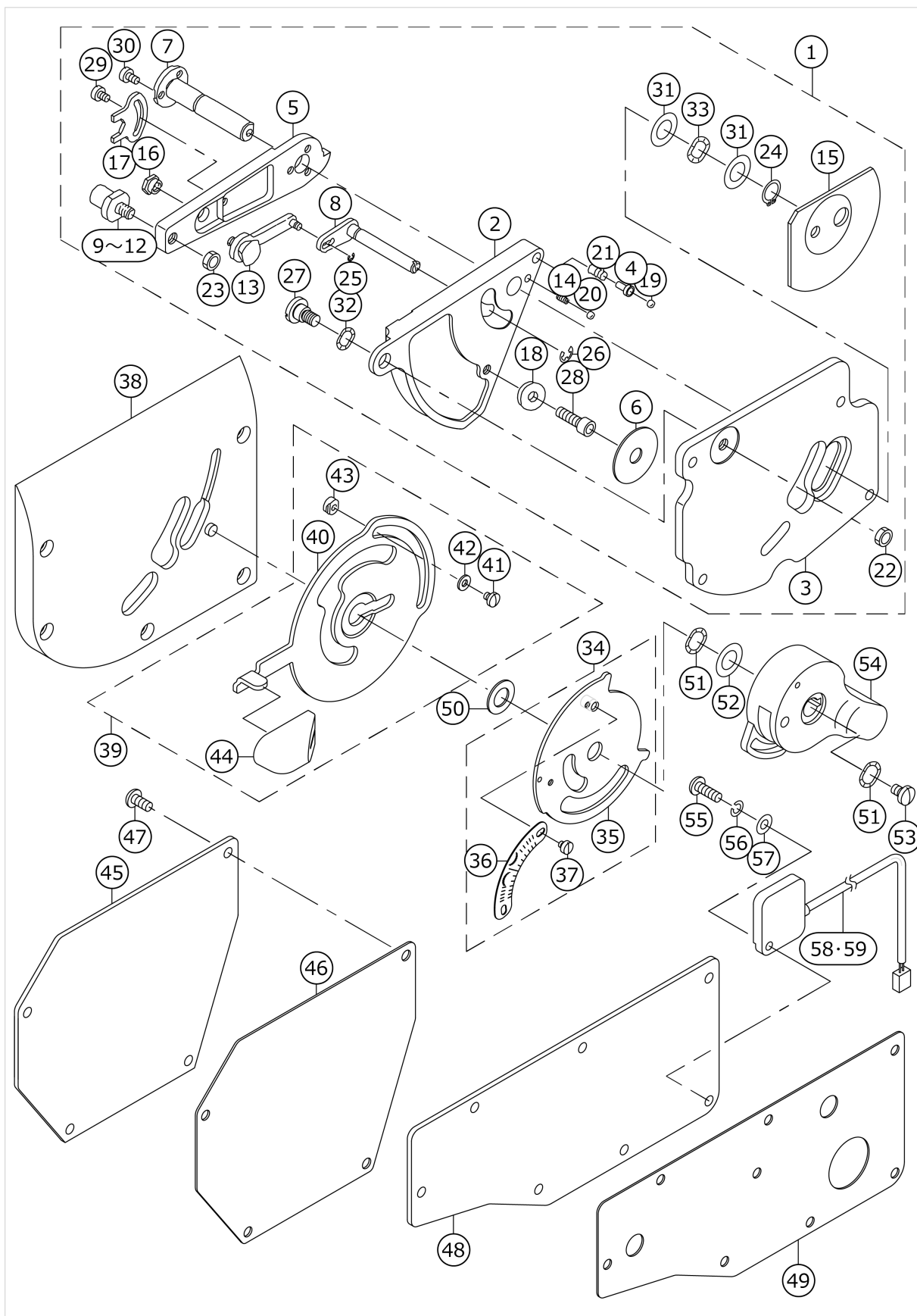


LZ-2288

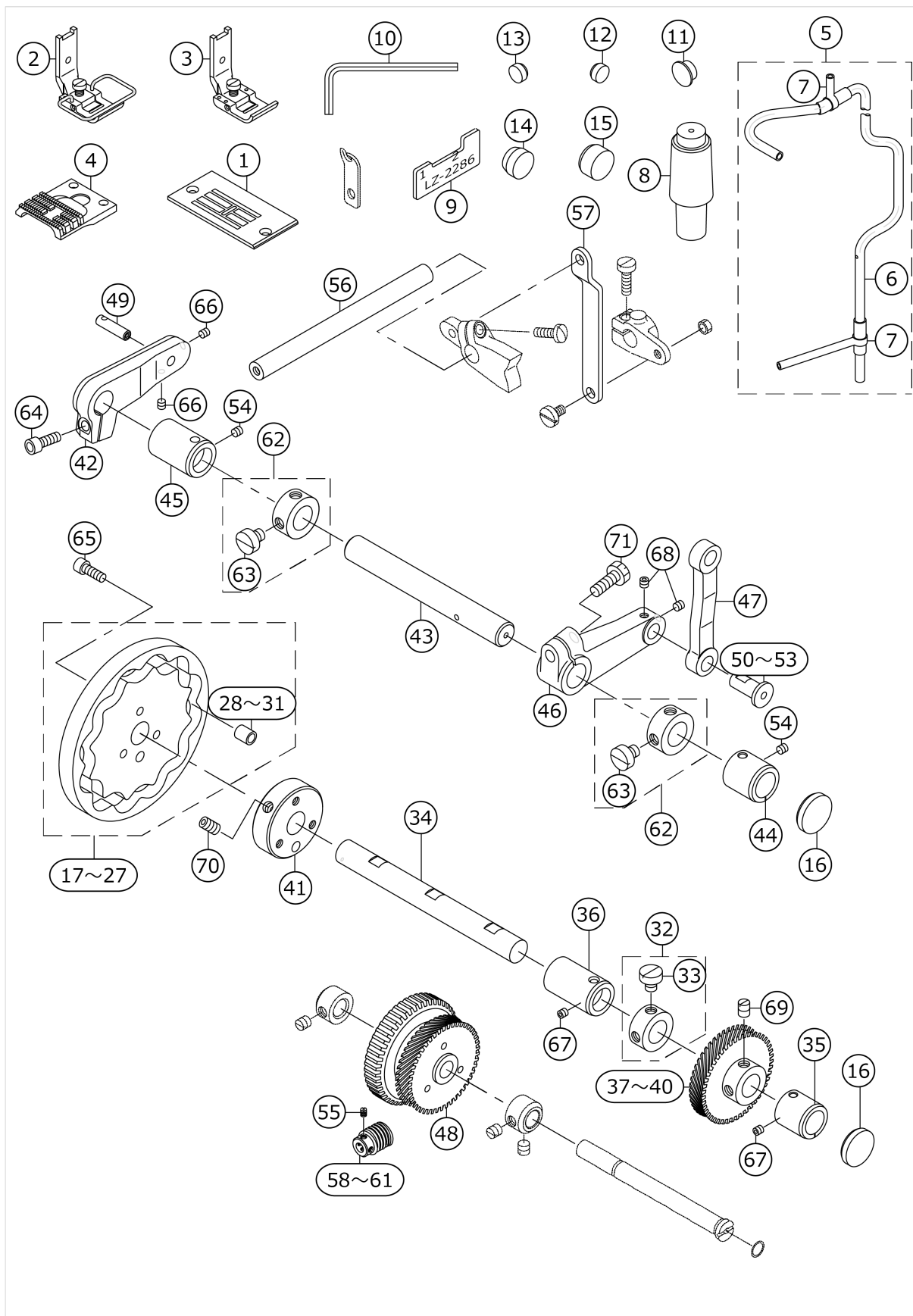
EXCLUSIVE PARTS FOR LZ-2288



No.	品番	品名	備考	子部品	消耗品	個数
1	22572853	POSITION CHANGE BASE ASM.				1.00
2	22572804	NEEDLE POSITION CHANGE BASE		*		1.00
3	22572903	POSITION CHANGE FITTING PLATE		*		1.00
4	22573307	STOPPER		*		1.00
5	22573406	MOUNTING ADJUSTMENT ARM		*		1.00
6	22573505	FITTING SCREW PACKING		*		1.00
7	22512701	SHAFT		*		1.00
8	10015360	LEVER ASM.		*		1.00
9	10016210	SHAFT	SELECTIVE PARTS	*		1.00
10	10016319	SHAFT	SELECTIVE PARTS	*		1.00
11	10016418	SHAFT	SELECTIVE PARTS	*		1.00
12	10016517	SHAFT	SELECTIVE PARTS	*		1.00
13	10017168	STOPPER ASM.		*		1.00
14	10017408	SPRING		*		1.00
15	10017606	OIL SHIELD		*		1.00
16	10018000	NUT		*		1.00
17	10018109	NUT STOPPER		*		1.00
18	B1430761000	ROLLER		*		1.00
19	B2608761000	HAND STOP CRANK SHAFT BALL		*		1.00
20	B2608761000	HAND STOP CRANK SHAFT BALL		*		1.00
21	MAT02106000	SPRING		*		1.00
22	NS6150310SP	NUT 15/64-28		*		1.00
23	NS6150310SP	NUT 15/64-28		*		1.00
24	RC0100001KP	SNAP RING M10		*		1.00
25	RE0200000K0	E-RING		*		1.00
26	RE0400000K0	E-RING 4		*		1.00
27	SD0800402TP	HINGE SCREW D= 8 H= 4		*		1.00
28	SM6051602TP	SCREW M5X0.8 L=16		*		1.00
29	SS6090520SP	SCREW 9/64-40 L= 5.0		*		1.00
30	SS6090620SP	SCREW 9/64-40 L=6		*		3.00
31	WP1020616SD	WASHER		*		2.00
32	WZ0850302K0	WAVED WASHER 8.5X12.5X0.3		*		3.00
33	WZ1052010KP	WAVED WASHER		*		1.00
34	22573166	SCALE MOUNTING ASM.				1.00
35	22573158	SCALE FITTING PLATE COMPL.		*		1.00
36	22573000	SCALE MOUNTING		*		1.00
37	SS6080320SP	SCREW 1/8-44 L= 2.5		*		2.00
38	22568356	ARM SIDE COVER				1.00
39	22573257	POSITION CHANGE LEVER COMPL.				1.00
40	22573208	NEEDLE POSITION CHANGE LEVER		*		1.00
41	SS7090410SP	SCREW 9/64-40 L= 3.5		*		2.00
42	WP0371016SD	WASHER 3.7X8X1		*		2.00
43	10015907	LEVER STOPPER		*		2.00
44	22512602	KNOB		*		1.00
45	22568109	CAM COVER				1.00
46	22568208	CAM COVER PACKING				1.00

47	SS4121015SP	SCREW 3/16-28 L=10			4.00
48	22567903	WINDOW PLATE			1.00
49	22568000	WINDOW PLATE PACKING			1.00
50	WP1021016SD	WASHER			1.00
51	WZ1052010KP	WAVED WASHER			2.00
52	WP1020616SD	WASHER			1.00
53	SS7620750SP	SCREW 3/16-32 L= 6.5			1.00
54	22512107	KNOB			1.00
55	SS4121415SP	SCREW 3/16-28 L=14	FOR LZ-2288-7		1.00
56	WS0510002KP	SPRING WASHER 5.1X9.2X1.3	FOR LZ-2288-7		1.00
57	WP0501016SD	WASHER 5X10.5X1	FOR LZ-2288-7		1.00
58	M6094350AAL	RESISTANCE PACK AL ASM.	FOR LZ-2288-7 NO NECESSARY P ART ACCORDING TO DESTINATION S		1.00
59	M6094350AAF	RESISTANCE PACK AF ASM.	FOR LZ-2288-7 NO NECESSARY P ART ACCORDING TO DESTINATION S		1.00




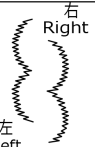
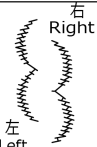

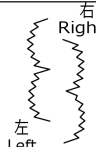
EXCLUSIVE PARTS FOR LZ-2288

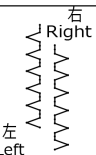
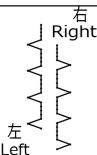
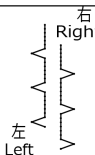
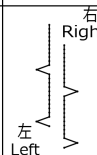


No.	品番	品名	備考	子部品	消耗品	個数
1	22581409	THROAT PLATE				1.00
2	22580864	PRESSER ASM.	NO NECESSARY PART ACCORDING TO DESTINATIONS			1.00
3	10055069	PRESSER A ASM.	NO NECESSARY PART ACCORDING TO DESTINATIONS			1.00
4	22581508	FEED				1.00
5	22574156	ARM SHAFT OIL PIPE ASM.				1.00
6	22574107	ARM SHAFT OIL PIPE		*		1.00
7	B3527552000	RUBBER JOINT		*		2.00
8	22574255	HEAD SUPPORT ROD ASM.				1.00
9	22586705	TIMING GAUGE				1.00
10	17348905	SOCKET SCREW KEYS				1.00
11	TA1050504R0	RUBBER PLUG				1.00
12	TA0980502R0	RUBBER PLUG				4.00
13	TA0980502R0	RUBBER PLUG				2.00
14	TA1550902R0	PLUG				1.00
15	TA1701002R0	RUBBER PLUG				1.00
16	TA2200502R0	RUBBER PLUG				2.00
17	22568851	CAM A ASM.	FOR LZ-2288A			1.00
18	22568950	CAM B ASM.	FOR LZ-2288B			1.00
19	22569057	CAM C ASM.	FOR LZ-2288C			1.00
20	22569156	CAM D ASM.	FOR LZ-2288D			1.00
21	22569255	CAM E ASM.	FOR LZ-2288E			1.00
22	22569354	NEEDLE VIBRATING CAM ASM. F	FOR LZ-2288F	*		1.00
23	22569453	NEEDLE VIBRATING CAM ASM. G	FOR LZ-2288G	*		1.00
24	22569552	NEEDLE VIBRATING CAM ASM. H	FOR LZ-2288H	*		1.00
25	22569651	NEEDLE VIBRATING CAM ASM. J	FOR LZ-2288J	*		1.00
26	22569750	NEEDLE VIBRATING CAM ASM. K	FOR LZ-2288K	*		1.00
27	22569859	NEEDLE VIBRATING CAM ASM. L	FOR LZ-2288L	*		1.00
28	22571103	CAM ROLLER A	SELECTIVE PARTS	*		1.00
29	22571202	CAM ROLLER B	SELECTIVE PARTS	*		1.00
30	22571301	CAM ROLLER C	SELECTIVE PARTS	*		1.00
31	22571400	CAM ROLLER D	SELECTIVE PARTS	*		1.00
32	CS140111ATH	THRUST COLLAR ASM. D=14 W=10.5				1.00
33	SS6660710TP	SCREW 1/4-40 L=7		*		2.00
34	22570006	CAM SHAFT				1.00
35	22570105	CAM SHAFT METAL A				1.00
36	22570204	CAM SHAFT BUSHING, B				1.00
37	22570303	CAM SHAFT GEAR A	SELECTIVE PARTS			1.00
38	22570402	CAM SHAFT GEAR B	SELECTIVE PARTS			1.00

39	22570501	CAM SHAFT GEAR B	SELECTIVE PARTS			1.00
40	22570600	CAM SHAFT GEAR D	SELECTIVE PARTS			1.00
41	22570758	CAM HOLDER COMPL.				1.00
42	22570907	CAM ARM				1.00
43	22571509	DRIVING SHAFT				1.00
44	22571608					1.00
45	22571707	DRIVING SHAFT METAL B				1.00
46	22571806	DRIVING ARM				1.00
47	22571905	DRIVING ROD				1.00
48	22572457	WORM WHEEL COMPL.				1.00
49	22571004	CAM ROLLER SHAFT				1.00
50	22572002	DRIVING PIN A	SELECTIVE PARTS			1.00
51	22572101	DRIVING PIN B	SELECTIVE PARTS			1.00
52	22572200	DRIVING PIN C	SELECTIVE PARTS			1.00
53	22572309	DRIVING PIN D	SELECTIVE PARTS			1.00
54	SS8110422TP	SCREW 11/64-40 L=4				2.00
55	SS8660610TP	SCREW 1/4-40 L=6				4.00
56	22573802	SHAFT				1.00
57	22573901	FEEDER CHANGE LINK A				1.00
58	10053007	WORM ASM. A	SELECTIVE PARTS			1.00
59	10053106	WORM B	SELECTIVE PARTS			1.00
60	10053205	WORM	SELECTIVE PARTS			1.00
61	10053304	WORM	SELECTIVE PARTS			1.00
62	CS140111ATH	THRUST COLLAR ASM. D=14 W=10.5				2.00
63	SS6660710TP	SCREW 1/4-40 L=7		*		4.00
64	SM6051402TP	SCREW M5X0.8 L=14				1.00
65	SM6051402TP	SCREW M5X0.8 L=14				3.00
66	SM8040402TP	SCREW M4X0.7 L=4				2.00
67	SS8110422TP	SCREW 11/64-40 L=4				2.00
68	SS8110422TP	SCREW 11/64-40 L=4				2.00
69	SS8660810TP	SCREW 1/4-40 L=8				2.00
70	SS8661012TP	SCREW				2.00
71	SS9151740CP	SCREW 15/64-28 L=17				1.00

SPECIFICATIONS

模様名 Pattern name	2点千鳥 Standard zigzag	4点千鳥 3-step zigzag	3点千鳥 2-step zigzag	標準スカラップ Standard scallop	三日月スカラップ Lunette scallop	等巾スカラップ Constant-width scallop	等巾スカラップ Constant-width scallop
品番 Part No.	NO. (1) 22568851	NO. (2) 22568950	NO. (3) 22569057	NO. (4) 22569156	NO. (5) 22569255	NO. (6) 22569354	NO. (7) 22569453
品名 Part Name	針振りか Needle rocking cam A	針振りか Needle rocking cam B	針振りか Needle rocking cam C	針振りか Needle rocking cam D	針振りか Needle rocking cam E	針振りか Needle rocking cam F	針振りか Needle rocking cam G
最大針振り巾 Max. zigzag width	6.0	8.0	8.0	8.0	8.0	8.0	8.0
最大模様巾 Max. pattern width	-	-	-	2.4	3.6	3.4	2.4
パターン針数 Number of stitches for a pattern	2	6	4	24	24	24	12
ステッチ パターン Stitch pattern							

ブラインド ステッチ Blind stitch	ブラインド ステッチ Blind stitch	ブラインド ステッチ Blind stitch	ブラインド ステッチ Blind stitch
NO. (8)	NO. (9)	NO. (10)	NO. (11)
22569552	22569651	22569750	22569859
針振りか Needle rocking cam H	針振りか Needle rocking cam J	針振りか Needle rocking cam K	針振りか Needle rocking cam L
6.0	6.0	6.0	6.0
-	-	-	-
4	6	8	12
			

No.	品番	品名	備考	子部品	消耗品	個数
1	22568851	NEEDLE DRIVING CAM A ASM.				1.00
2	22568950	NEEDLE DRIVING CAM B ASM.				1.00
3	22569057	NEEDLE VIBRATING CAM ASM. C				1.00
4	22569156	NEEDLE DRIVING CAM D ASM.				1.00
5	22569255	NEEDLE DRIVING CAM E ASM.				1.00
6	22569354	NEEDLE VIBRATING CAM ASM. F				1.00
7	22569453	NEEDLE VIBRATING CAM ASM. G				1.00
8	22569552	NEEDLE VIBRATING CAM ASM. H				1.00
9	22569651	NEEDLE VIBRATING CAM ASM. J				1.00
10	22569750	NEEDLE VIBRATING CAM ASM. K				1.00
11	22569859	NEEDLE VIBRATING CAM ASM. L				1.00

HOW TO MAKE USE OF THIS PARTS LIST

1.As to "#01" and "#02" refer to the "Note" given at the bottom of the respective pages.

2.Codes on the "Qty" column

- Each numeral indicates the number of parts required.
- "0.1" and "2.5" indicate the length (in meters) of the respective parts.

3.Parentheses mean that the corresponding part is a subpart that constructs an assembly part.

4.Dotted lines on the Figures indicate assembly parts.

1. リストページの# 0 1、# 0 2の印は、ページ下の“注記”の説明を参照下さい。

2. 数量欄の数字は、個数を表し、0. 1、2. 5等の数値は、長さ（単位メートル）を表します。

3. 数量欄の（ ）は、組部品を構成している子部品であることを意味します。

4. イラストページの-----枠は、組構成であることを意味します。